



# NEW! MANUALLY-OPERATED AIR VALVES

## NEW! Push/Pull Valves



Push/Pull spool valves are available in both 3- and 4-way configurations. The Detent version maintains spool position by friction, while the Momentary spring returns to the home position.

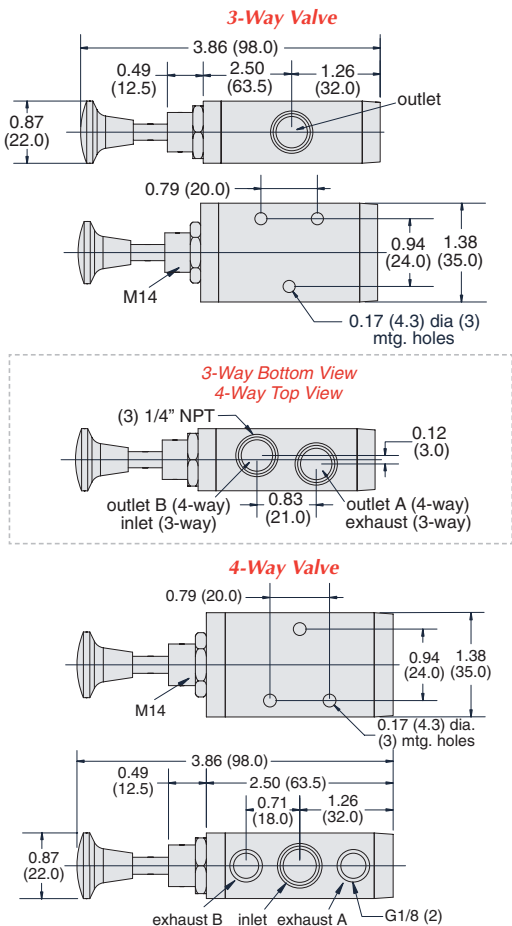
**Operating Pressure:** 0 to 115 psig      **Cv:** 0.89

**Ports:** 1/4" NPT, 1/8" NPT exhaust

**Operating Temperature:** 32 to 140°F (0 to 60°C)

**Mounting:** Panel or base mount

Part No.	Description
<a href="#">MMV-P3QD</a>	3-Way, 3 Port Detented Push/Pull Valve
<a href="#">MMV-P4QD</a>	4-Way, 5 Port Detented Push/Pull Valve
<a href="#">MMV-P4QM</a>	4-Way, 5 Port Momentary Push/Pull Valve



## NEW! Lever Valves

Lever valves are available in both 3- or 4-way spool valves with 1/4" NPT ports. They have either a Detented or Momentary manual operation.

**Operating Pressure:** 0 to 150 psig

**Cv:** Detented: 1.0  
Momentary: 0.89

**Port Size:** 1/4" NPT

**Operating Temperature:** 32 to 140°F (0 to 60°C)

**Mounting:** Panel or base mount



Part No.	Description
<a href="#">MMV-L4QD</a>	4-Way, 2-Position Detented Lever Valve
<a href="#">MMV-L4QM</a>	4-Way, 2-Position Momentary Lever Valve
<a href="#">MMV-L3QD</a>	3-Way, 2-Position Detented Lever Valve
<a href="#">MMV-L3QM</a>	3-Way, 2-Position Momentary Lever Valve
<a href="#">MMV-L4QM-C</a>	4-Way, 3-Position Momentary Lever Valve, Closed Center

